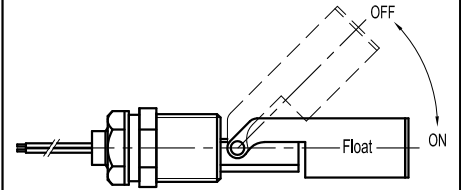
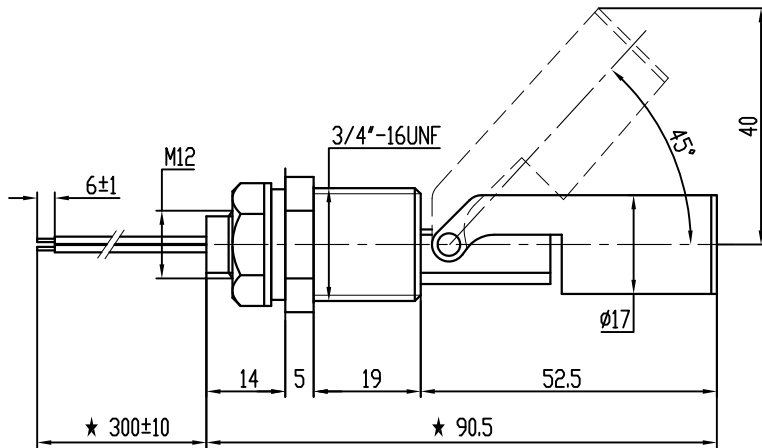


specification

Customer		Name	Side mounted liquid level switch	Type	MR-L7-PP-2A
----------	--	------	----------------------------------	------	-------------

Movement explanation



Movement explanation:

- 1、 when the float is in $10\pm 5^\circ$, the reed switch will be closed.
- 2、 when the float is in $40\pm 5^\circ$, the reed switch will be open.

BOM					Reed switch Electrical Specification		Product features	
No	Part name	Specification	Material	Quantity	1.Contact form	A(NO.)	1.Float pressure[MPa]	0.1
1	Float	$\varnothing 17 \times 51.5$	PP black	1PC	2.Contact rating[W]	50	2.Applicable temperature[]	-10~+85
2	Float ball	L7	PP black	1PC	3.Max switching voltage[V]	DC350/AC300	3.Withstand voltage	1000V/10S
3	Cap nut	M12*1.75-7	PP black	1PC	4.Breakdown voltage[V]	600VDC	4.Terminal tensile strength[Kg]	/
4	O-ring	$\varnothing 18 \times \varnothing 11 \times 2.5$	Rubber	1PC	5.Max switching current[A]	DC0.7/AC0.5	5.The contact resistance[m Ω]	????
5	E-ring	—	—	—	6.Max carry current[A]	2.5	6.Insulation resistance[M Ω]	100min
6	Wire	UL1015 22# black	PVC	300mm	7.Contact resistance[m Ω]	100max		
7	Filling	5321A Black+5323B	epoxy glue	—	8.Insulation resistance[Ω]	10^{10} min		
8	Terminal	—	—	—	9.Get an electric shock life	10^7		
9	Housing	—	—	—				
10	Reed switch	—	Imported	1PC	designed by	Checked by	Drawing by	Drawing Date
11	Circuit board	L-series	FR-4	1PC				
NINGBO MINGRUI SENSORS CO.,LTD.						Scale	Sheet	Edition
www.mrsensors.com						1:1	1	A